



LX9215

Projector RS232 Command Control

Installation Guide

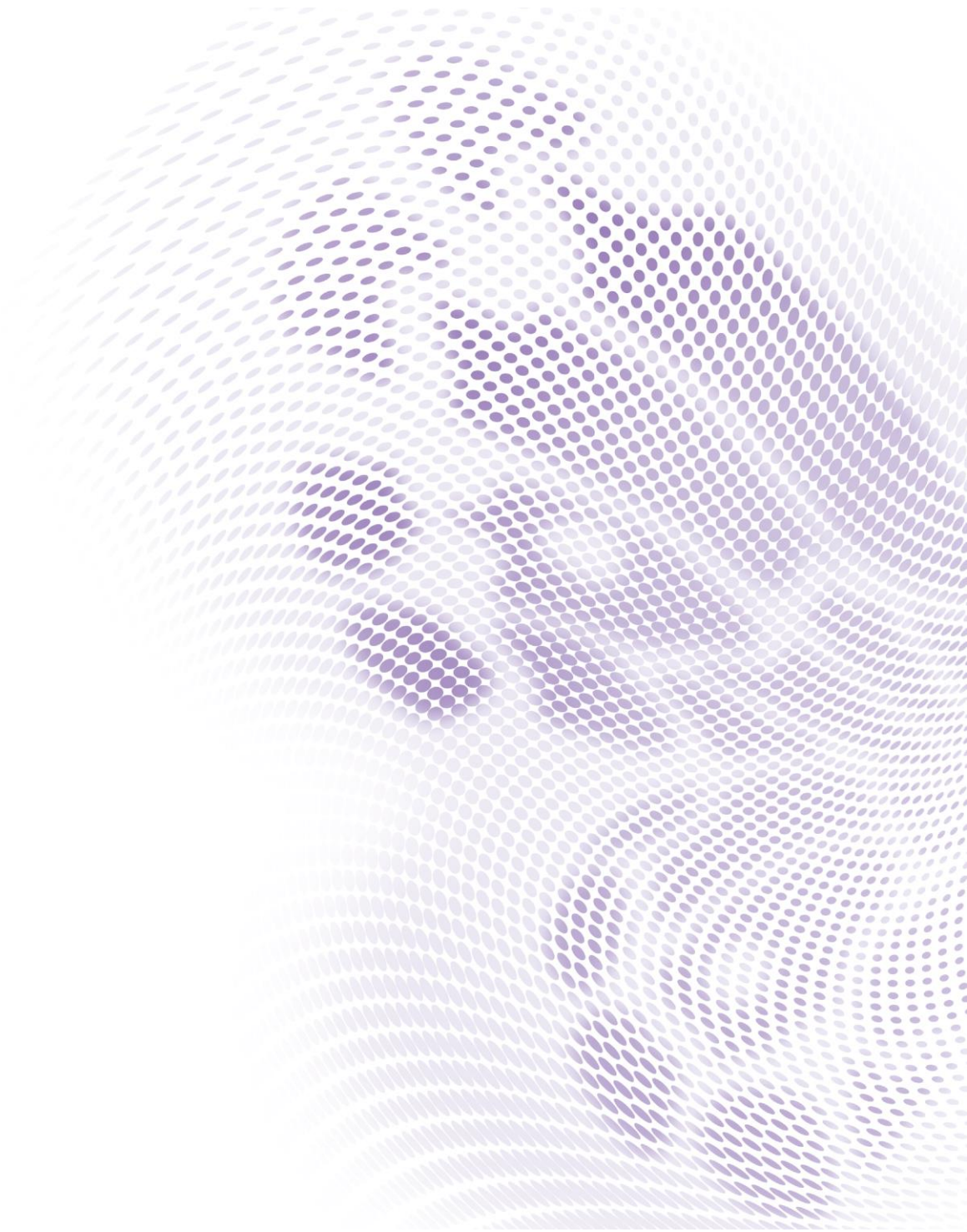


Table of Contents

Introduction	3
Wire arrangement.....	3
RS232 pin assignment.....	3
Connections and communication settings	4
RS232 serial port with a crossover cable	4
Settings	4
RS232 via LAN.....	6
Settings	6
RS232 via HDBaseT.....	6
Settings	6
Command table.....	8

Introduction

The document describes how to control your BenQ projector via RS232 from a computer. Follow the procedures to complete the connection and settings first, and refer to the command table for RS232 commands.



Available functions and commands vary by model. Check the specifications and user manual of the purchased projector for product functions.

Wire arrangement

Wire Arrangement		
P1	Color	P2
1	Black	1
2	Brown	3
3	Red	2
4	Orange	4
5	Yellow	5
6	Green	6
7	Blue	7
8	Purple	8
9	Gray	9
Case	Drain wire	Case

RS232 pin assignment

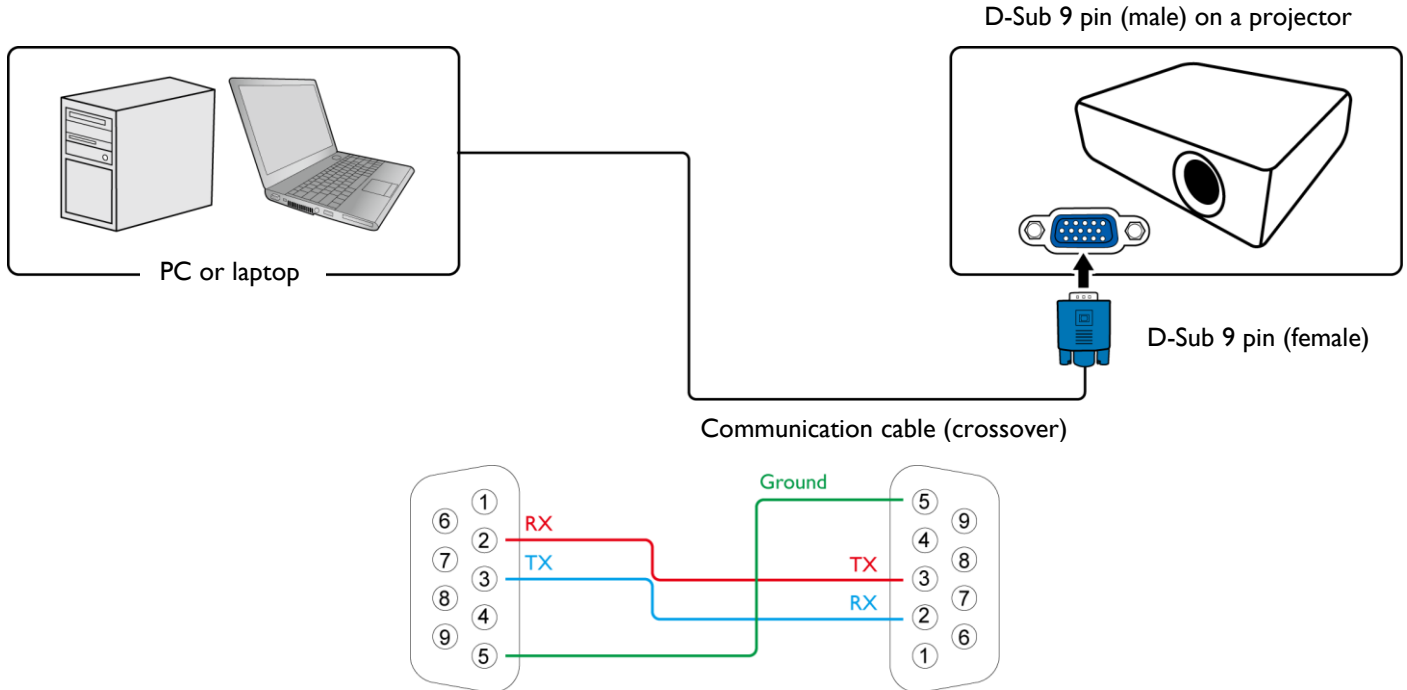


Pin	Description	Pin	Description
1	NC	2	RXD
3	TXD	4	NC
5	GND	6	NC
7	RTS	8	CTS
9	NC		


Connections and communication settings

Choose one of the connections and set up properly before RS232 control.

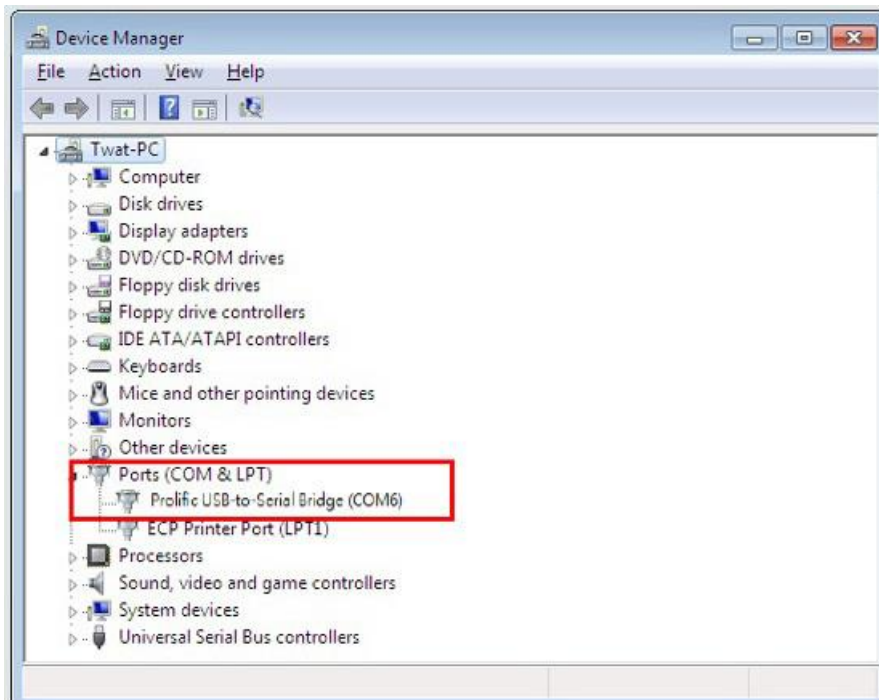
RS232 serial port with a crossover cable



Settings

 On-screen images in this document are for reference only. The screens may vary depending on your Operating System, I/O ports used for connection, and the specifications of the connected projector.

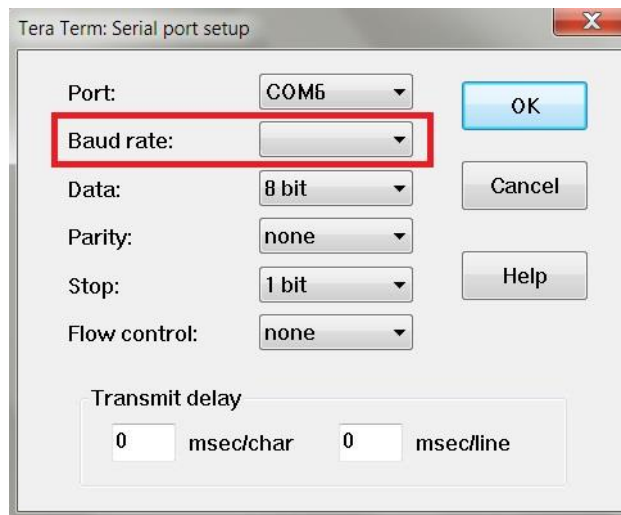
- I. Determine the COM Port name used for the RS232 communications in **Device Manager**.




- Choose **Serial** and the corresponding COM port as the communication port. In this given example, COM6 is selected.



- Finish **Serial port setup**.



Baud rate	9600 / 14400 / 19200 / 38400 / 57600 / 115200 bps  Check the baud rate of the connected projector from its OSD menu.
Data length	8 bit
Parity check	None
Stop bit	1 bit
Flow control	None

RS232 via LAN

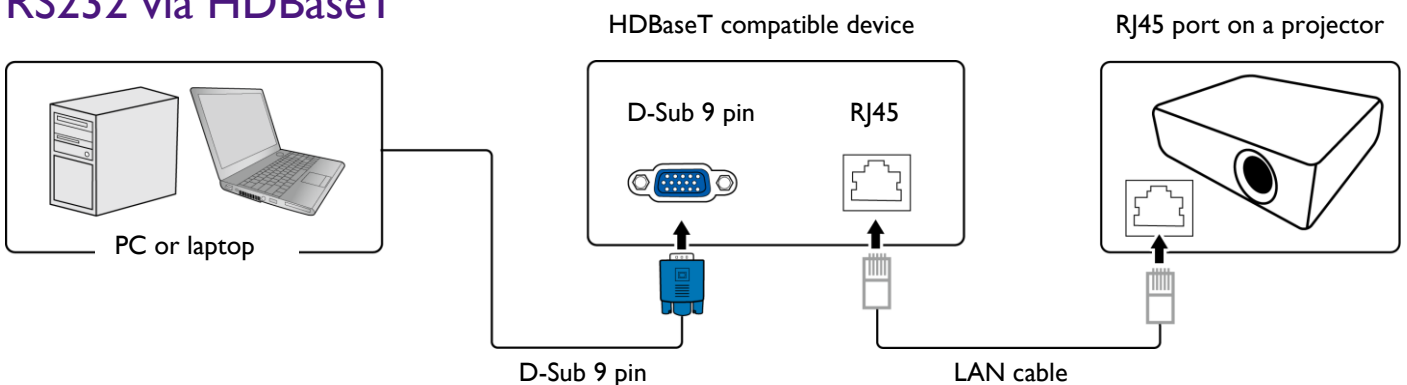


Settings

1. Find the Wired LAN IP address of the connected projector from the OSD menu and make sure the projector and the computer are within the same network.
2. Input **8000** in the **TCP port #** field.



RS232 via HDBaseT




Settings

1. Determine the COM Port name used for the RS232 communications in **Device Manager**.
2. Choose **Serial** and the corresponding COM port as the communication port. In this given example, COM6 is selected.



3. Finish **Serial** port setup.



Baud rate	9600 / 14400 / 19200 / 38400 / 57600 / 115200 bps  Check the baud rate of the connected projector from its OSD menu.
Data length	8 bit
Parity check	None
Stop bit	1 bit
Flow control	None

Command table



- Available features differ by projector specification, input sources, settings, etc..
- Commands are working if the standby power is 0.5W or a supported baud rate of the projector is set.
- Uppercase, lowercase, and a mixture of both types of characters are accepted for a command.
- If a command format is illegal, it will echo **Illegal format**.
- If a command with correct format is not valid for the projector model, it will echo **Unsupported item**.
- If a command with correct format cannot be executed under certain condition, it will echo **Block item**.
- If RS232 control is performed via LAN, a command works whether it starts and ends with **<CR>**. All the commands and behaviors are identical with the control through a serial port.

Function	Type	Operation	ASCII	Support
Power	Write	Power On	<CR>*pow=on#<CR>	YES
	Write	Power off	<CR>*pow=off#<CR>	YES
	Read	Power Status	<CR>*pow=?#<CR>	YES
Source Selection	Write	COMPUTER/YPbPr	<CR>*sour=RGB#<CR>	YES
	Write	COMPUTER 2/YPbPr2	<CR>*sour=RGB2#<CR>	YES
	Write	COMPUTER 3/YPbPr3	<CR>*sour=RGB3#<CR>	NO
	Write	Component	<CR>*sour=ypr#<CR>	NO
	Write	Component2	<CR>*sour=ypr2#<CR>	NO
	Write	DVI-A	<CR>*sour=dviA#<CR>	NO
	Write	DVI-D	<CR>*sour=dvid#<CR>	YES
	Write	HDMI I	<CR>*sour=hdmi#<CR>	YES
	Write	HDMI 2/MHL2	<CR>*sour=hdmi2#<CR>	YES
	Write	Composite	<CR>*sour=vid#<CR>	YES
	Write	S-Video	<CR>*sour=svid#<CR>	NO
	Write	Network	<CR>*sour=network#<CR>	NO
	Write	USB Display	<CR>*sour=usbdisplay#<CR>	NO
	Write	USB Reader	<CR>*sour=usbreader#<CR>	NO
	Write	HDbaseT	<CR>*sour=hdbaset#<CR>	YES
	Write	DisplayPort	<CR>*sour=dp#<CR>	NO
Read	Current source	<CR>*sour=?#<CR>	YES	
Audio Control	Write	Mute On	<CR>*mute=on#<CR>	YES
	Write	Mute Off	<CR>*mute=off#<CR>	YES
	Read	Mute Status	<CR>*mute=?#<CR>	YES
	Write	Volume +	<CR>*vol=+#<CR>	YES
	Write	Volume -	<CR>*vol=-#<CR>	YES
	Read	Volume Status	<CR>*vol=?#<CR>	YES

	Write	Mic. Volume +	<CR>*micvol=+#<CR>	NO
	Write	Mic. Volume -	<CR>*micvol=-#<CR>	NO
	Read	Mic. Volume Status	<CR>*micvol=?#<CR>	NO
Audio source select	Write	Audio pass Through off	<CR>*audiosour=off#<CR>	YES
	Write	Audio-Computer1	<CR>*audiosour=RGB#<CR>	YES
	Write	Audio-Computer2	<CR>*audiosour=RGB2#<CR>	YES
	Write	Audio-Video/S-Video	<CR>*audiosour=vid#<CR>	YES
	Write	Audio-Component	<CR>*audiosour=ypbr#<CR>	YES
	Write	Audio-HDMI	<CR>*audiosour=hdmi#<CR>	YES
	Write	Audio-HDMI2	<CR>*audiosour=hdmi2#<CR>	YES
	Read	Audio pass Status	<CR>*audiosour=?#<CR>	YES
Picture Mode	Write	Dynamic	<CR>*appmod=dynamic#<CR>	NO
	Write	Presentation	<CR>*appmod=preset#<CR>	YES
	Write	sRGB	<CR>*appmod=srgb#<CR>	YES
	Write	Bright	<CR>*appmod=bright#<CR>	YES
	Write	Living Room	<CR>*appmod=livingroom#<CR>	NO
	Write	Game	<CR>*appmod=game#<CR>	NO
	Write	Cinema	<CR>*appmod=cine#<CR>	YES
	Write	Standard/Vivid	<CR>*appmod=std#<CR>	NO
	Write	Football	<CR>*appmod=football#<CR>	NO
	Write	DICOM	<CR>*appmod=dicom#<CR>	YES
	Write	User1	<CR>*appmod=user1#<CR>	YES
	Write	User2	<CR>*appmod=user2#<CR>	NO
	Write	User3	<CR>*appmod=user3#<CR>	NO
	Write	ISF Day	<CR>*appmod=isfday#<CR>	NO
	Write	ISF Night	<CR>*appmod=isfnight#<CR>	NO
	Write	3D	<CR>*appmod=threed#<CR>	YES
	Read	Picture Mode	<CR>*appmod=?#<CR>	YES
	Picture Setting	Write	Contrast +	<CR>*con=+#<CR>
Write		Contrast -	<CR>*con=-#<CR>	YES
Read		Contrast value	<CR>*con=?#<CR>	YES
Write		Brightness +	<CR>*bri=+#<CR>	YES
Write		Brightness -	<CR>*bri=-#<CR>	YES
Read		Brightness value	<CR>*bri=?#<CR>	YES
Write		Color +	<CR>*color=+#<CR>	YES
Write		Color -	<CR>*color=-#<CR>	YES
Read		Color value	<CR>*color=?#<CR>	YES
Write		Sharpness +	<CR>*sharp=+#<CR>	YES

	Write	Sharpness -	<CR>*sharp=-#<CR>	YES	
	Read	Sharpness value	<CR>*sharp=?#<CR>	YES	
	Write	Color Temperature-Warmer	<CR>*ct=warmers#<CR>	NO	
	Write	Color Temperature-Warm	<CR>*ct=warm#<CR>	YES	
	Write	Color Temperature-Normal	<CR>*ct=normal#<CR>	YES	
	Write	Color Temperature-Cool	<CR>*ct=cool#<CR>	YES	
	Write	Color Temperature-Cooler	<CR>*ct=cooler#<CR>	NO	
	Write	Color Temperature-lamp native	<CR>*ct=native#<CR>	NO	
	Read	Color Temperature Status	<CR>*ct=?#<CR>	YES	
	Write	Aspect 4:3	<CR>*asp=4:3#<CR>	YES	
	Write	Aspect 16:6	<CR>*asp=16:6#<CR>	NO	
	Write	Aspect 16:9	<CR>*asp=16:9#<CR>	YES	
	Write	Aspect 16:10	<CR>*asp=16:10#<CR>	YES	
	Write	Aspect Auto	<CR>*asp=AUTO#<CR>	YES	
	Write	Aspect Real	<CR>*asp=REAL#<CR>	YES	
	Write	Aspect Letterbox	<CR>*asp=LBOX#<CR>	NO	
	Write	Aspect Wide	<CR>*asp=WIDE#<CR>	NO	
		Write	Aspect Anamorphic	<CR>*asp=ANAM#<CR>	NO
		Read	Aspect Status	<CR>*asp=?#<CR>	YES
Write		Digital Zoom In	<CR>*zoomI#<CR>	YES	
Write		Digital Zoom out	<CR>*zoomO#<CR>	YES	
Write		Auto	<CR>*auto#<CR>	YES	
	Write	Brilliant color on	<CR>*BC=on#<CR>	YES	
	Write	Brilliant color off	<CR>*BC=off#<CR>	YES	
	Read	Brilliant color status	<CR>*BC=?#<CR>	YES	
Operation Settings	Write	Projector Position-Front Table	<CR>*pp=FT#<CR>	YES	
	Write	Projector Position-Rear Table	<CR>*pp=RE#<CR>	YES	
	Write	Projector Position-Rear Ceiling	<CR>*pp=RC#<CR>	YES	
	Write	Projector Position-Front Ceiling	<CR>*pp=FC#<CR>	YES	
	Write	Quick cooling on	<CR>*qcool=on<CR>	NO	
	Write	Quick cooling off	<CR>*qcool=off<CR>	NO	
	Read	Quick cooling status	<CR>*qcool=?<CR>	NO	
	Write	Quick auto search	<CR>*QAS=on#<CR>	YES	
	Write	Quick auto search	<CR>*QAS=off#<CR>	YES	
	Read	Quick auto search status	<CR>*QAS=?#<CR>	YES	
	Read	Projector Position Status	<CR>*pp=?#<CR>	YES	
	Write	Direct Power On-on	<CR>*directpower=on#<CR>	YES	
	Write	Direct Power On-off	<CR>*directpower=off#<CR>	YES	

	Read	Direct Power On-Status	<CR>*directpower=?#<CR>	YES
	Write	Signal Power On-on	<CR>*autopower=on#<CR>	YES
	Write	Signal Power On-off	<CR>*autopower=off#<CR>	YES
	Read	Signal Power On-Status	<CR>*autopower=?#<CR>	YES
	Write	Standby Settings-Network on	<CR>*standbynet=on#<CR>	YES
	Write	Standby Settings-Network off	<CR>*standbynet=off#<CR>	YES
	Read	Standby Settings-Network Status	<CR>*standbynet=?#<CR>	YES
	Write	Standby Settings-Microphone on	<CR>*standbymic=on#<CR>	NO
	Write	Standby Settings-Microphone off	<CR>*standbymic=off#<CR>	NO
	Read	Standby Settings-Microphone Status	<CR>*standbymic=?#<CR>	NO
	Write	Standby Settings-Monitor Out on	<CR>*standbymnt=on#<CR>	YES
	Write	Standby Settings-Monitor Out off	<CR>*standbymnt=off#<CR>	YES
	Read	Standby Settings-Monitor Out Status	<CR>*standbymnt=?#<CR>	YES
Baud Rate	Write	2400	<CR>*baud=2400#<CR>	YES
	Write	4800	<CR>*baud=4800#<CR>	YES
	Write	9600	<CR>*baud=9600#<CR>	YES
	Write	14400	<CR>*baud=14400#<CR>	YES
	Write	19200	<CR>*baud=19200#<CR>	YES
	Write	38400	<CR>*baud=38400#<CR>	YES
	Write	57600	<CR>*baud=57600#<CR>	YES
	Write	115200	<CR>*baud=115200#<CR>	YES
	Read	Current Baud Rate	<CR>*baud=?#<CR>	YES
Lamp Control	Read	Lamp Hour	<CR>*ltim=?#<CR>	YES
	Read	Lamp2 Hour	<CR>*ltim2=?#<CR>	NO
	Write	Normal mode	<CR>*lampm=lnor#<CR>	YES
	Write	Eco mode	<CR>*lampm=eco#<CR>	YES
	Write	Smart Eco mode(ImageCare)	<CR>*lampm=seco#<CR>	NO
	Write	Smart Eco mode2(LampCare)	<CR>*lampm=seco2#<CR>	NO
	Write	Smart Eco mode3(lumenCare)	<CR>*lampm=seco3#<CR>	NO
	Write	Dimming mode	<CR>* lampm=dimming#<CR>	YES
	Write	Custom mode	<CR>* lampm=custom#<CR>	YES
	Write	Dual Brightest	<CR>* lampm =dualbr#<CR>	NO
	Write	Dual Reliable	<CR>* lampm =dualre#<CR>	NO
	Write	Single Alternative	<CR>* lampm =single#<CR>	NO
	Write	Single Alternative Eco	<CR>* lampm =singleeco#<CR>	NO
	Read	Lamp Mode Status	<CR>*lampm=?#<CR>	YES
Miscellaneous	Read	Model Name	<CR>*modelname=?#<CR>	YES
	Write	Blank On	<CR>*blank=on#<CR>	YES

	Write	Blank Off	<CR>*blank=off#<CR>	YES
	Read	Blank Status	<CR>*blank=?#<CR>	YES
	Write	Freeze On	<CR>*freeze=on#<CR>	YES
	Write	Freeze Off	<CR>*freeze=off#<CR>	YES
	Read	Freeze Status	<CR>*freeze=?#<CR>	YES
	Write	Menu On	<CR>*menu=on#<CR>	YES
	Write	Menu Off	<CR>*menu=off#<CR>	YES
	Write	Up	<CR>*up#<CR>	YES
	Write	Down	<CR>*down#<CR>	YES
	Write	Right	<CR>*right#<CR>	YES
	Write	Left	<CR>*left#<CR>	YES
	Write	Enter	<CR>*enter#<CR>	YES
	Write	3D Sync Off	<CR>*3d=off#<CR>	YES
	Write	3D Auto	<CR>*3d=auto#<CR>	YES
	Write	3D Sync Top Bottom	<CR>*3d=tb#<CR>	YES
	Write	3D Sync Frame Sequential	<CR>*3d=fs#<CR>	YES
	Write	3D Frame packing	<CR>*3d=fp#<CR>	YES
	Write	3D Side by side	<CR>*3d=sbs#<CR>	YES
	Write	3D inverter disable	<CR>*3d=da#<CR>	YES
	Write	3D inverter	<CR>*3d=iv#<CR>	YES
	Write	2D to 3D	<CR>*3d=2d3d#<CR>	NO
	Write	3D nVIDIA	<CR>*3d=nvidia#<CR>	NO
	Read	3D Sync Status	<CR>*3d=?#<CR>	YES
	Write	Remote Receiver-front+rear	<CR>*rr=fr#<CR>	YES
	Write	Remote Receiver-front	<CR>*rr=f#<CR>	YES
	Write	Remote Receiver-rear	<CR>*rr=r#<CR>	YES
	Write	Remote Receiver-top	<CR>*rr=t#<CR>	NO
	Write	Remote Receiver-top+front	<CR>*rr=tf#<CR>	NO
	Write	Remote Receiver-top+rear	<CR>*rr=tr#<CR>	NO
	Read	Remote Receiver Status	<CR>*rr=?#<CR>	YES
	Write	Instant On-on	<CR>*ins=on#<CR>	NO
	Write	Instant On-off	<CR>*ins=off#<CR>	NO
	Read	Instant On Status	<CR>*ins=?#<CR>	NO
	Write	Lamp Saver Mode-on	<CR>*ipsaver=on#<CR>	NO
	Write	Lamp Saver Mode-off	<CR>*ipsaver=off#<CR>	NO
	Read	Lamp Saver Mode Status	<CR>*ipsaver=?#<CR>	NO
	Write	Projection Log In Code on	<CR>*prjlogincode=on#<CR>	NO
	Write	Projection Log In Code off	<CR>*prjlogincode=off#<CR>	NO

	Read	Projection Log In Code Status	<CR>*prjlogincode=?#<CR>	NO
	Write	Broadcasting on	<CR>*broadcasting=on#<CR>	NO
	Write	Broadcasting off	<CR>*broadcasting=off#<CR>	NO
	Read	Broadcasting Status	<CR>*broadcasting=?<CR>	NO
	Write	AMX Device Discovery-on	<CR>*amxdd=on#<CR>	YES
	Write	AMX Device Discovery-off	<CR>*amxdd=off#<CR>	YES
	Read	AMX Device Discovery Status	<CR>*amxdd=?#<CR>	YES
	Read	Mac Address	<CR>*macaddr=?#<CR>	YES
	Write	High Altitude mode on	<CR>*Highaltitude=on#<CR>	YES
	Write	High Altitude mode off	<CR>*Highaltitude=off#<CR>	YES
	Read	High Altitude mode status	<CR>*Highaltitude=?#<CR>	YES

BenQ.com

© 2018 BenQ Corporation

All rights reserved. Rights of modification reserved.

Version: 1.01-C