

1

2

3

4

A

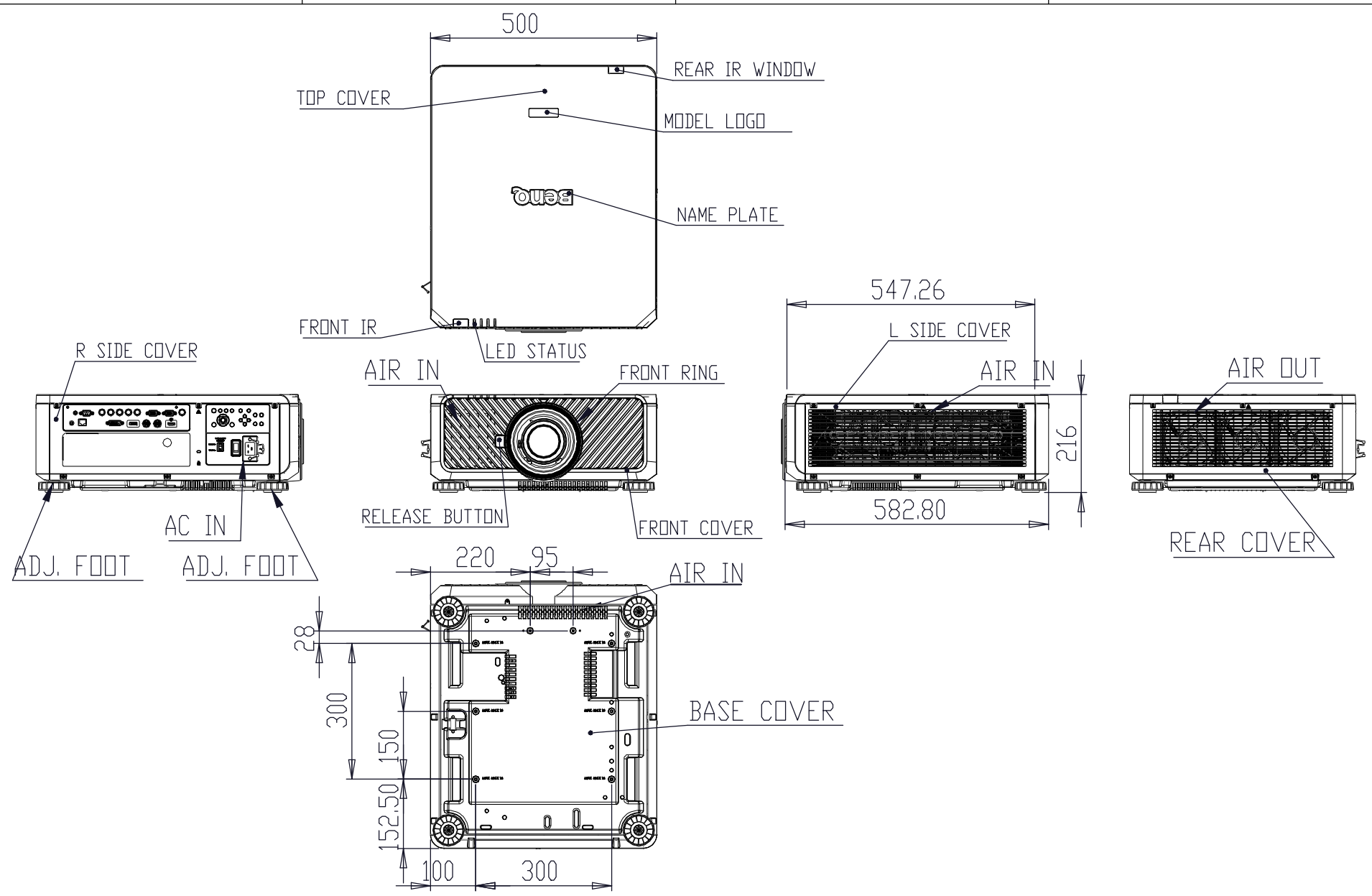
A

B

B

C

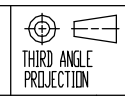
C



BenQ Projector LU9715

DIMENSIONAL TOLERANCES		UNITS	
SCALE	UNIT	mm	USED ON
< 30	±0.25		
> 30-100	±0.35	X ±0.3	
> 100-300	±0.5	XX ±0.2	
ABOVE 300	±0.6	X.XX ±0.1	
HIDES	±0.05	ANGLES ±0.5°	
			UP-100 ±0.2
			100-150 ±0.25
			150-200 ±0.3
			200-250 ±0.35
			250-300 ±0.4
			300-350 ±0.45
			350-400 ±0.5
			0-10 : ±0.2 ±0.08
			10-20 : ±0.3 ±0.15
			ABOVE 20 : ±0.5 ±0.25
			ANGLES : ±0.5°

DRAWN:



A4
SIZE

SHEET TO

1

2

3

4